

***MR Series***

***MR Series***

***(with Optional Drain Pump)***

***BR2 Series***

***UC450 Series***

***UC500 Series***

***Instructions for use and maintenance***



**Ed. 2009**



Via Ugo Foscolo, 1  
21040 Venegono Superiore  
Varese (Italy)

DICHIARAZIONE DI CONFORMITÀ CE  
DECLARATION OF CONFORMITY CE



Machines manufactured for:  
Bracton Industries (NSW) Pty Ltd.  
[www.bracton.com](http://www.bracton.com)  
[enquiries@bracton.com](mailto:enquiries@bracton.com)

Noi dichiariamo sotto la nostra esclusiva responsabilità che il prodotto:  
*The undersigned hereby declares under full responsibility that the following product:*

### GLASSWASHING & DISHWASHING MACHINE Series

**MR Series..., BR2 Series..., UC Series...,**

al quale questa dichiarazione si riferisce, è conforme alle seguenti norme:  
*for which this declaration refers to in accordance to the following standards:*

**EN 60335-1, EN 60335-2-58, EN 61000-3-2, EN 61000-3-3, EN 55014-1, EN 55014-2**

in base a quanto previsto dalle Direttive CEE:  
*on the basis of what is foreseen by the Directives CEE:*

**2006/95/CE (LVD) – 2006/108/CE (EMC)**

Decliniamo ogni responsabilità per sinistri a persone o a cose derivanti da manomissione da parte di terzi o da carenza di manutenzione o riparazione.  
*We decline any responsibility for injuries or damage derived from machine misuse, abuse by others or improper machine maintenance or repairs.*

**26/11/2009**

(Data emissione)  
(Date of issue)

**Giuseppe RIENZI**

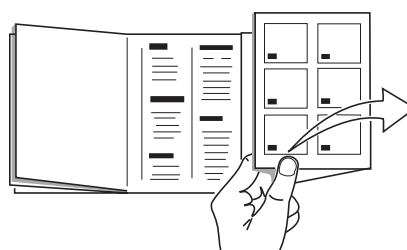
DELEGATO ALLA SICUREZZA DEL PRODOTTO

(Nome e firma o timbratura equivalente della persona autorizzata)  
(Name signature or equivalent of authorized representative)

# ***Glasswashing & Dishwashing machine Serie***

Mod.

***MR Series  
MR Series  
(with Optional Drain Pump)  
BR2 Series  
UC450 Series  
UC500 Series***



*The illustrations concerning these instructions are on the inside of the back cover*

---

**ENG**

**IMPORTANT**

Become thoroughly familiar with the contents of this manual before installing, setting up, adjusting and servicing dishwasher machine.

Only contact an Bracton authorized technical center or Bracton on (02) 9938 1800 in the event of breakdowns or faulty machine operation.

---

**The manufacturer reserves the right to modify the products whenever necessary, without affecting their main features.**

---

INDEX

*Important* ..... pag. 4

*Overall dimensions* ..... pag. 6

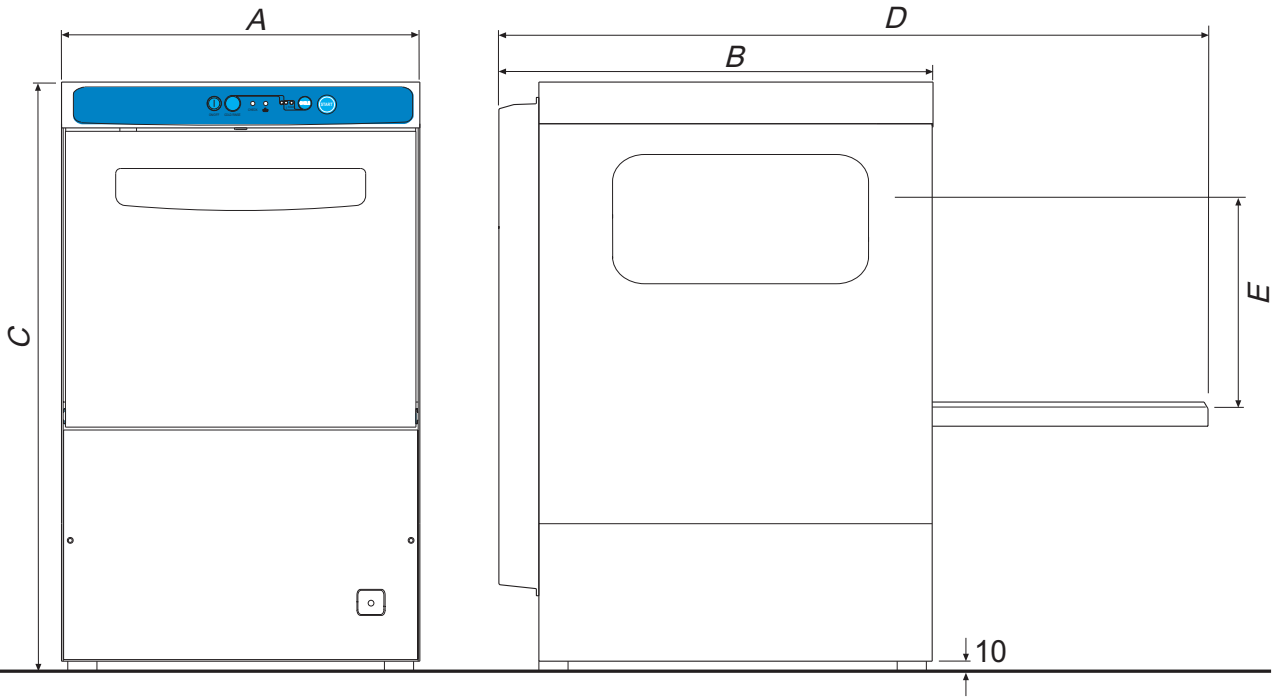
*Technical data* ..... pag. 7

*Decription of the controls* ..... pag. 8/9

**ENGLISH.** ..... Page 10

**Bracton**  
**Leaders in innovation and**  
**design**

## OVERALL DIMENSIONS



<i>Model</i>	<b>A</b>	<b>B</b>	<b>C</b>	<b>D</b>	<b>E</b>
<b>MR</b>	<b>430</b>	<b>521</b>	<b>680</b>	<b>851</b>	<b>280</b>
<b>BR2 - UC 450</b>	<b>530</b>	<b>600</b>	<b>755</b>	<b>940</b>	<b>270</b>
<b>UC 500</b>	<b>600</b>	<b>600</b>	<b>820</b>	<b>1005</b>	<b>330</b>

## TECHNICAL DATA

	<i>Output in baskets/hour</i>	<i>Electrical connection</i>	<i>Total power</i>	<i>Boiler heating elem.</i>	<i>Tank heating elemt</i>	<i>Wash pump</i>
<b>MR BR2/UC450 UC500</b>	60/20	230V ~ 50/60Hz	3400 W	3200 W	2000 W	220 W
	60/20	230V ~ 50/60Hz	3550 W	3000 W	2000 W	550 W
	60/20	230V ~ 50/60Hz	3550 W	3000 W	2000 W	550 W
	<i>Tank capacity</i>	<i>Boiler capacity</i>	<i>Water supply</i>	<i>Water cons. per c.le</i>	<i>Cycle length</i>	
<b>MR BR2/UC450 UC500</b>	12,5 l	4 l	200÷400 kPa Ø 3/4" G	2 l	60/180s(SOAK)	
	17 l	7,5 l	200÷400 kPa Ø 3/4" G.	3,5 l	60/180s(SOAK)	
	20 l	7,5 l	200÷400 kPa Ø 3/4" G.	3,5 l	60/180s(SOAK)	
	<i>Drain pipe fitting</i>	<i>Operat.and storage te</i>	<i>Relative humidity</i>	<i>Wash temperature</i>	<i>Rinse temperature</i>	
<b>MR BR2/UC450 UC500</b>	Ø 28 mm	5° ÷ 40° C	20 ÷ 90 %	50° ÷ 60° C	82° C	
	Ø 31 mm	5° ÷ 40° C	20 ÷ 90 %	50° ÷ 60° C	82° C	
	Ø 31 mm	5° ÷ 40° C	20 ÷ 90 %	50° ÷ 60° C	82° C	
	<i>Water inlet max. temp.</i>	<i>Noise level</i>	<i>Basket dimensions</i>	<i>Net weight</i>	<i>Weight of packed mac.</i>	
<b>MR BR2/UC450 UC500</b>	50° C	< 70 dB (A)	350 x 350 mm	36 kg	41 kg	
	50° C	< 70 dB (A)	450 x 450 mm	48 kg	56 kg	
	50° C	< 70 dB (A)	500 x 500 mm	52 kg	60 kg	

## CONTROL PANEL

MR

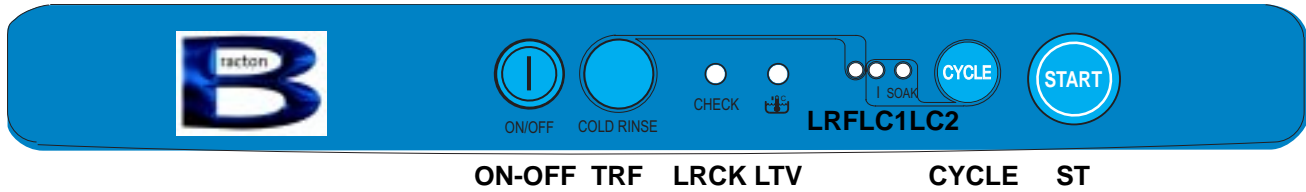


Fig. 1

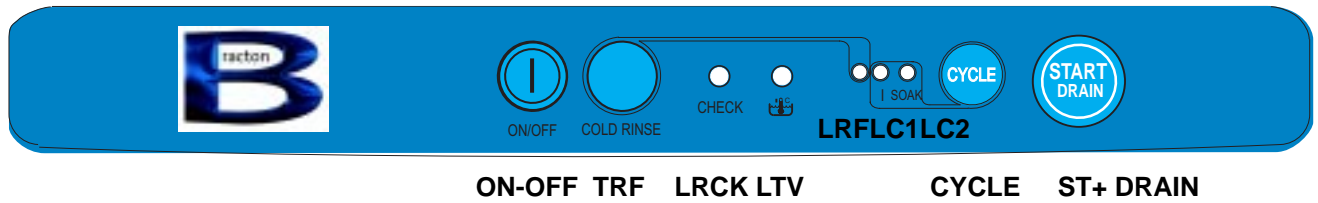
### LEGEND

ON-OFF)	Line button ON/OFF
TRF)	Cold rinse button
LRCK)	CHECK led light (green)
LTV)	Tank temperature led light (green)
LRF)	Cold rinse led light (green)
LC1)	SHORT cycle led light (green)
LC2)	LONG (SOAK) cycle led light (green)
CYCLE)	CYCLE selection button
ST)	START CYCLE button



## CONTROL PANEL

### MR with Drain Pump - BR2 / UC450 - UC500



**Fig. 1**

#### LEGEND

ON-OFF)	Line button ON/OFF
TRF)	Cold rinse button
LRCK)	CHECK led light (green)
LTV)	Tank temperature led light (green)
LRF)	Cold rinse led light (green)
LC1)	SHORT cycle led light (green)
LC2)	LONG (SOAK) cycle led light (green)
CYCLE)	CYCLE selection button
ST)	START CYCLE button

**ENGLISH**

**Part 1: General description and safety device**

**Part 2: For the Operator**

**Part 3: For Authorized and Qualified  
Technicians**

**ENGLISH**

## PARTICULAR RECOMMENDATIONS FOR THE OPERATOR

- Do not operate the machine without having become fully familiar with the contents of this manual and without having acquired a comprehensive knowledge of the specific techniques and machine controls.
- Check that the area in which the machine is to be installed is compatible with the dimensions of the machine itself before installing this latter.
- Only use lifting and handling means that are suited to the weight of the machine when this must be installed or removed either completely or in part.
- Never allow unauthorized or unqualified personnel to start, adjust, operate or repair the machine. Always refer to this manual for the necessary operations.
- The mechanical parts and electrical/electronic components situated inside the machine are protected by entirely closed panels.
- **Always ensure that the main switch has been set to the "OFF" position** before cleaning and/or servicing the machine. This will disconnect the power source during the operator's intervention.
- The electrical powering system must be equipped with an automatic release system prior to the main machine switch and with a suitable grounding system that complies with all the requisites established by industrial provisions for the prevention of accidents.
- Always disconnect the power source if work must be carried out on the main switch or in its vicinity.
- All inspections and maintenance operations requiring removal of the safety guards are carried out under the complete responsibility of the users. These operations should therefore only be carried out by specialized and authorized technical personnel.
- Make sure that none of the accident preventing safety devices (barriers, guards, casings, microswitches, etc.) have been tampered with and that they are all perfectly functional before operating. These devices should be repaired if this is not the case.
- **Never remove the safety devices.**
- To prevent personal risks, only use power tools that are correctly connected to the grounding tap and that conform to the national safety regulations.
- Never ever tamper with the electrical system or with any other mechanism.
- **Never ever use the hands** or unsuitable instruments to locate leaks from pipes. Air, fluids under pressure or irritants could cause serious damage to both persons and/or property.
- Never use the hands instead of adequate tools when operating the machine.
- Never use the hands or other objects to stop moving parts.
- **PAY THE UTMOST ATTENTION TO THE DATA PLATES AFFIXED TO THE MACHINE WHENEVER WORKING ON THIS OR IN THEIR NEAR VICINITY.**
- The user is obliged to keep all the data plates and stickers in a legible condition.
- Never climb on to the door or on to the top of the machine.
- It is essential for the user to replace all data plates and stickers that may have deteriorated for any reason or that are not clearly visible, ordering new ones from the Spares Service.
- Contact the person in charge of maintenance in the event of malfunctions or damage to the machine components without proceeding with further repairs.
- It is absolutely forbidden for anyone to use the machine for purposes other than those explicitly established and documented. The machine must always be used in the ways, times and places dictated by common sense and the laws in force in each country, even when there are no specific provisions to govern the sector in the particular country of use.
- **The manufacturer and distributor declines all responsibility for accidents or damage to either persons or property as may arise following failure to comply with either the relative safety provisions or the instructions herein.**
- **These instructions, together with the provisions governing machine installation and electrical connections form an integral part of the Accident Preventing Industrial regulations in force in each individual country.**
- **THESE SAFETY PROVISIONS INTEGRATE AND DO NOT SUBSTITUTE THE SAFETY PROVISIONS LOCALLY IN FORCE.**
- **NEVER ever make hurried or inaccurate repairs that could jeopardize the correct operation of the machine.**
- **ALWAYS ASK FOR HELP FROM SPECIALIZED PERSONNEL IN CASE OF DOUBT.**
- **ANY TAMPERING BY THE USER RELIEVES THE MANUFACTURER FROM ALL LIABILITY, THE USER BEING IN THIS CASE SOLELY RESPONSIBLE TOWARDS THE COMPETENT ACCIDENT PREVENTION AUTHORITIES.**

### 1.1 GENERAL DESCRIPTION

Single-walled construction in 18/10 stainless steel with fine satin finish. The glasswashers have variable timed detergent pump.

All controls and electrical parts can be easily accessed. The washing rods and filters can be easily removed for maintenance and routine cleaning.

All models are equipped with a safety microswitch on the door. The heating elements are made of rustproof incoloy steel.

### 1.2 TYPE OF USE AND IMPROPER USE

These machines have been designed and built to wash crockery placed in special baskets and using detergent and rinsing agent.

- Permitted crockery: glasses, teacups, coffee cups, saucers, cutlery made of materials suitable for dishwashers and of a size able to fit into the basket and machine.
- Contact Bracton: for the correct choice in chemicals for your venue..



**ATTENTION**

Any improper use of the machine relieves the manufacturer from all and every responsibility for accidents or damage to persons and property, also voiding all conditions of guarantee.

### 1.3 TRANSPORT, SHIPMENT AND STORAGE (Fig. 2)

- The machine is normally shipped in a cardboard box closed by straps.
- When transporting the packed machine, use a lift truck or transpallet, positioning the box on the relative forks.



**ATTENTION**

The machine must be sheltered from the weather when shipped and stored.

### 1.4 INSPECTIONS ON ARRIVAL

When the machine arrives, check that the packaging is in a perfect condition and that there is no visible damage.

If everything is in order, remove the packaging (unless other instructions have been received from the manufacturer) and check that the machine is free from damage caused by transport.

Now check whether there has been any damage to the structure, crushing or breakages.

If damage or imperfections are discovered:

- 1 - Immediately notify the haulage contractor both by phone and in writing by registered letter with return receipt attached;
- 2 - Inform the manufacturer by registered letter (with return receipt attached).



**IMPORTANT**

Notification of damage or faults must be immediate, in any case **within 3 days** from the date on which the machine is received.

### 1.5 UNPACKING (Figs 2-3-4)

Proceed in the following way in order to remove the packing:

1. Cut the straps (7) that hold the cardboard in place.
2. Remove the box (8) by lifting it upwards.
3. Remove the protective film from the machine.
4. Remove the machine from the base by lifting it from the lower part of the casing (Fig. 4).
5. All packing must be collected and not left within children's reach since it could become a source of danger. The packing can be disposed of in the same way as solid urban waste.



**ATTENTION**

Once the machine has been unpacked, **NEVER** ever use the box containing the electrical components for lifting purposes.

Lift the machine by raising it from the lower part of the casing. Set it on the forks of a truck when transporting.

### 1.6 MACHINE IDENTIFICATION (Fig. 5)

- The serial number and machine data are stamped on the data plate (9) affixed to the right part of the machine itself.



**IMPORTANT**

Always state the model and serial number of the machine when requesting technical assistance or ordering spare parts.

### 1.7 DESCRIPTION OF THE SAFETY DEVICES

- Models are equipped with a safety microswitch that blocks the washing pump if the tub access door is accidentally opened.
- The electrical parts are enclosed by panels locked by screws.
- The machine is fitted with an equipotential ground conductor.
- Safety overflow (21 fig. 9) to prevent water from spilling.

### 1.8 REFERENCE STANDARD

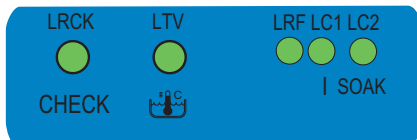
- The machine and its safety devices has been built in compliance with the following standards:
- Essential safety requisites established by Directive 2006/95/CE (LVD) and 2006/108/CE (EMC).
- Essential requisites established by Directive 2002/95/EEC (RoHS).

## 2.1 WASHING PHASES

### 2.1.a Switching on and Preparing the machine

To switch on the machine, press the power switch (**IL**) into the **ON** position.

The LED indicating the last cycle selected will become **CONSTANTLY LIT** (**LC1** or **LC2**), the **CHECK(LRCK)** LED the tank temperature LED (**LTV**) and the cold rinse LED (**LRF**).



#### IMPORTANT

**On first switching on, LED LC2 will light up.**

The boiler, and then the tank, will start to fill automatically. Once the water level has been reached, the heating elements will switch in, first in the boiler, then in the tank.

Once the water in the tank reaches the correct temperature, the tank temperature LED (**LTV**) will go ON.

### WASHING OPERATION

If not using the equipped automatic dosing system, pour into the tank a quantity of detergent suitable for the volume and hardness of the water. For quantities, refer to the specific instructions for the detergent in use.



**When items to be washed are encrusted with burnt on matter, or a long time has passed between use and washing, it is essential to carry out a pre-wash soak using a suitable softening agent. The use of hand-washing products is to be avoided as they could produce foam inside the machine.**

Place the basket of items to be washed inside the machine, having first removed any solid waste.

### 2.1.b Selecting a Cycle

The duration of the washing cycle can be chosen from three different lengths of time (SHORT and LONG=SOAK), to be selected using the "**CYCLE**" button.

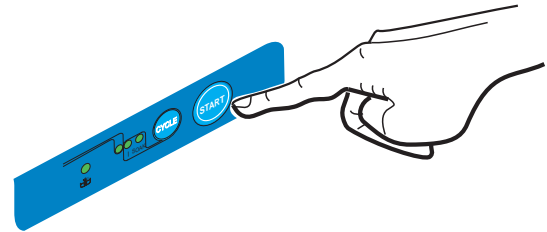
Each time the "**CYCLE**" button is pressed, the LEDs **LC1** or **LC2**, will light up or go out in sequence as shown in the following table:

<b>LC 1:</b>	<b>SHORT CYCLE</b>	= 60 sec.
<b>LC 2:</b>	<b>LONG CYCLE</b>	= 180 sec (SOAK)

### 2.1.c STARTING THE WASHING CYCLE

To start the washing cycle, press and hold the **START** (**ST**) button for a few seconds, then release.

Throughout the washing cycle the LED(s) for the selected cycle (**LC1** or **LC2**) will FLASH.



The use of the machine ensures rinsing at the ideal temperature for hygienic purposes every time; Indeed, if the temperature is not sufficient the wash will be automatically prolonged so as to ensure the necessary conditions of optimum rinsing at **82°C**.

The waiting time required to attain optimum temperature can extend to a maximum of **8 minutes**.

While this is taking place, the **CHECK** LED will FLASH RAPIDLY until the end of the cycle. To reset the flashing, switch the machine off and back on using the power switch (**IL**).

### 2.1.d Interrupting the cycle

1) It is possible to interrupt the washing cycle momentarily by opening the door, this is an EMERGENCY measure: the cycle LEDs (**LC1** or **LC2**) will start to FLASH, alternating with the **CHECK** LED.

On closing the door, operations will resume from the point in which they stopped.

2) The cycle can also be interrupted by SWITCHING the machine's power switch (**IL**) to the **OFF** position.

3) On switching the machine back on, the LED indicating the last cycle selected will light up.

Allow items to dry and remove them from the basket with clean hands.

Store all items on hygienic and completely stable surfaces.

### 2.1.e Manual Draining

It is possible to drain the water from the tank at any time during the day, according to the waste accumulated.

To carry out this operation, proceed as follows:

- SWITCH the machine's power switch (**IL**) to the **OFF** position and release the overflow, allowing all the water to drain from the tank;
- Remove the tank filters (22/23) and clean;

### Draining function for machines with drainage pump

For machines fitted with a drainage pump it is possible to empty the tank by carrying out the manual draining cycle, during which only the drainage pump remains active.

#### **IMPORTANT**

This cycle can only be carried out by leaving the machine SWITCHED ON with the tank full of water and the door OPEN.

Having released the overflow, press and hold the **START/DRAIN (ST)** button until the LED **LC2** and **CHECK** together) begins to FLASH, and then release the **START/DRAIN (ST)** button; The DRAINAGE CYCLE will begin.

#### **IMPORTANT**

By pressing the **START/DRAIN (ST)** button or switching the power switch (IL) to OFF, you can interrupt the drainage cycle before the preset time is up; to restart the interrupted cycle, press **START/DRAIN (ST)** again.

When the **LC2** LED lights up CONSTANTLY, the drainage cycle is finished.

At the end of the cycle, restore the filters (22/23) and the overflow (21) to their respective positions.

### 2.1.f Switching off at the end of the day

At the end of the working day SWITCH OFF the machine by pressing the power switch (IL) into the OFF position.

Switch off the mains switch feeding the machine and close the water supply taps.

For any repairs, contact only assistance centres authorised by the manufacturer.

### 2.1.g Warnings during the operation

- 1) Ensure that the washing temperature remains at approx. 55-60°C;
- 2) Avoid immersing bare hands in the detergent-filled water; if this should happen, rinse immediately and thoroughly with running water;
- 3) Use only anti-foaming detergents specific for use in industrial machines;
- 4) Deactivate the machine in case of break-down or malfunction.

For any repairs, contact only assistance centres authorised by Bracton Industries on (02) 9938 1800, and insist on the use of original parts.

**Failure to follow the above warnings may compromise the safety of the washing machine.**

### 2.1.h Useful advice for better washing results

Any unsatisfactory results from washing can be seen when traces of dirt are left on dishes or other items; any water marks may be caused by insufficient rinsing, limited detergent, ineffective detergent.

In this case, where insufficient, ensure that the rinsing nozzles (24) are clean

and that there is pressure in the water system.

If there are traces of waste, ensure that:

- The filters (22) (23) are clean;
- the water temperature is around 60°C;
- items are correctly positioned in the basket;
- the washing/rinsing nozzles are clean;
- the arms (24) (25) rotate freely.

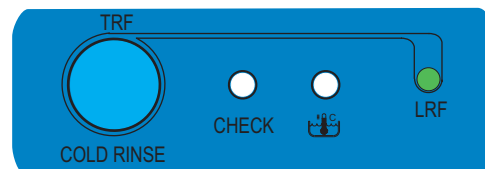
In the case where limited detergent is being used:

- Check drop lead is in container, with the end submerged in detergent.
- Turn detergent controller to the left with a flathead screwdriver to increase dosage.
- In this does not work contact a Bracton service representative.

### 2.1.i Cold rinse function

(for model MR - BR2/ UC 450)

Such function allows automatic cold rinse for 10 sec. To disconnect it press push button **TRF**; led **LRF** turns OFF.



## 2.2 CLEANING (Fig. 9)

### 2.2.a General information

Strict compliance with the maintenance instructions in this section will keep your machine in a good working condition and will notably reduce the need for repairs.



If any machine component becomes faulty, **FIRST CHECK** that all the instructions given in the previous paragraphs have been complied with during use.

Repairs must be carried out immediately, as soon as the fault occurs. This will prevent the trouble from becoming worse and damaging other parts.



Daily operations to carry out when work has ended, with the machine OFF, the main circuit-breaker disconnected, the water cocks off and the washing tub empty.

1. Thoroughly clean the inside parts of the machine.
2. Remove the filter (22) from the bottom of the machine by releasing the overflow (21).
3. Remove the suction protection (23).
4. Wash the filters under running water and fit them correctly back in their housings.



Frequently check and clean the spraying units, removing them from their housings and eliminating any dirt and fouling. The frequency with which this operation must be carried out depends on the quantity of dirt or on the unsatisfactory washing results. Never use corrosive products like sodium hypochlorite (bleach) or hydrochloric acid, wire wool or steel brushes to clean either the inside or outside parts of the machine.

## 2.3. PREVENTION MAINTENANCE (Fig. 9)

The preventive maintenance operations must be carried out with the machine OFF, the main circuit-breaker disconnected, the water delivery cocks off and the washing tub empty.

### 2.3.a Checking and cleaning the spray arms and nozzles (Fig. 9)

Periodically check to make sure that the lower washing arm and rinsing arm (24/25) and their relative nozzles are not clogged (26/27).

#### Cleaning the lower/upper unit

1. Unscrew the ring nut and lift the arm (24/25).
2. Wash the washing and rinsing arm.  
If the nozzles (27) are clogged, unscrew them to demount and clean, taking care to prevent the shape of the nozzle from being deformed. After cleaning, fit the nozzles exactly back in their original positions.
3. Remount all parts by complying with the above instructions in reverse.

## 2.4 DESCALING

Where hard water is present lime scale deposits will form in the machine and on dishes, which must, for reasons of hygiene, be removed by descaling.

Advice on operation procedures and frequency for this treatment are generally given by Brecton chemical distributors, who can provide suitable products.

**In order to avoid damaging the machine, do not exceed recommended doses, follow the detergent producer's directions scrupulously and, having finished operations, rinse thoroughly.**

## 2.5 TEMPORARY STOPPAGE

If the machine is to be left inactive for a period of some weeks, it is advisable beforehand to load the tank and run a few empty cycles with clean water then drain, so as to avoid the formation of unpleasant odours.

If necessary, repeat the process several times until the water is still clean after washing.

**If the stoppage is to be very long, it is advisable to drain the water from the boiler and from the electric pump.**

## 2.6 DEMOLITION and DISPOSAL



When the machine is to be scrapped, drain the water from the tank and from the boiler, as indicated in the points above, and disconnect the machine from the water and electricity supply networks, then dispose of the components according to current regulations, respecting national and local ecological and environmental legislation, and taking care to separate the parts as follows:

- metallic parts: body work, surfaces, panels, filters;
- electrical parts: motors, remote switches, micro-switches, cabling;
- plastic parts: connectors, baskets;
- rubber parts: tubes, couplings

**The producer declines all responsibility for any printing errors contained in this booklet.**

**The instructions, drawings, tables and everything else in this manual are of a confidential technical nature. For this reason, none of the information may be either completely or partially duplicated or disclosed to third parties without prior written authorization from HOONVED which is the sole proprietor and which reserves the right to make any modifications as may be considered necessary without advance warning.**

## SUMMARY TABLE of CYCLE LED CHECK SIGNALS (LRCK)

MACHINE STATUS	CYCLE LED CHECK
<b>Machine OFF</b>	<b>OFF</b>
<b>Machine on line but STAND/BY</b>	<b>ON CONSTANT</b>
<b>CYCLE: washing, pause, rinsing</b>	<b>ON CONSTANT</b>
<b>ALARM: lack of heating</b>	<b>RAPID flashing</b>
<b>ALARM: door open</b>	<b>RAPID flashing</b>
<b>Manual drain</b>	<b>RAPID flashing</b>

### TROUBLESHOOTING

PROBLEMS	CAUSES	SOLUTIONS
<b>The machine fails to come on.</b>	Main switch disconnected.	Turn on the switch.
<b>The machine does not fill with water</b>	Water cock shut. Fill pipe filter dirty. Rinsing nozzles clogged.  Overflow pipe incorrectly inserted.	Turn on the cock. Detach the fill pipe (12A/B Fig. 6) and clean the filter (13). Unscrew and clean the nozzles (27 Fig. 9) under running water. Make sure that the overflow pipe (21 Fig. 9) has been correctly inserted.
<b>Insufficient washing</b>	Washing filter dirty. Washing nozzles clogged.  Washing rod clogged. Insufficient or no detergent.  Machine temperature not reached.  Washing conditions insufficient.	Clean the filter (22/23 Fig. 9). Demount and clean the washing nozzles under running water (26). Demount and clean the rod (24 Fig. 9). Top up the detergent in the canister and check its concentration. Wait until the tank water has reached the right temperature (50°C).  Make sure that the washing phase takes place correctly.
<b>Insufficient rinsing.</b>	Rinsing nozzles clogged.  Boiler clogged with scaling. Low mains pressure (less than 200 kPa).  Temperature insufficient.  Incorrectly positioned nozzles or nozzles deformed.	Unscrew the nozzles (27 Fig. 9) and clean them under running water. Contact the after-sales service. Wait until the pressure returns or purchase a pressure pump.  Contact the after-sales service.  Make sure that the nozzles are in their correct positions. Replace any damaged ones.



 **IMPORTANT**

Every operation of installation, electrical or hydraulic connection, programming, maintenance etc...has to be carried out by QUALIFIED personnel, authorised by Bracton;

any interventions carried out by UNQUALIFIED personnel, may compromise the technician's own safety, as well as the safety of other personnel (operators, etc.) or of any other equipment connected to the washing machine.

**The manufacturer declines all responsibility for accidents or damage to persons or property caused by failure to comply with the above listed provisions.**

**3.1 INSTALLATION (Fig. 6-7)**

- After having removed the packing, make sure that the machine is in a perfect condition and that all the parts have been included.
- Position the machine in the required setting.

**3.1.a Connecting the drain pipe (Fig. 6)**

- Fix the drain pipe (11) to the relative preset outlet.

 **IMPORTANT**

It is essential to ensure that the drain pipe that it is not throttled in any part.

**3.1.b Connection to the cold water main EVF (Fig. 6/7)**

- Screw the end of the fill pipe (12A) to a 3/4"G threaded cock, fitting the filter (13 Fig. 7) in between.

 **ATTENTION** 

It is essential to connect the cold water delivery pipe to a throttle cock in order to separate the water main from the machine itself. Also make sure that there are no sharp bends.

If there is sand in the water main, it will be necessary to install a filter between it and the machine. If the water main is without, it is advisable to install a decalcifier prior to the machine with a setting of min. 4 and max. 8 French degrees.

**The manufacturer declines all responsibility for damage to the machines caused by failure to comply with the above listed provisions.**

**Strictly observe the national and regional water board regulations in force.**

**3.1.c Connection to the hot water main EVC (Fig. 6/7)**

- Screw the end of the fill pipe (12B) to a 3/4"G threaded cock, fitting the filter (13 Fig. 7) in between.

 **ATTENTION** 

It is essential to connect the hot water delivery pipe to a throttle cock in order to separate the water main from the machine itself. Also make sure that there are no sharp bends.

If there is sand in the water main, it will be necessary to install a filter between it and the machine. If the water main is without, it is advisable to install a decalcifier prior to the machine with a setting of min. 4 and max. 8 French degrees.

**The manufacturer declines all responsibility for damage to the machines caused by failure to comply with the above listed provisions.**

**Strictly observe the national and regional water board regulations in force.**

**3.1.d Electrical connecton (Figg. 6-7)** **DANGER** 

- **Before connecting to the electricity main, always check that the data pertaining to the power source correspond to those indicated on the identification plate (pos. 9 Fig. 5) and that the main electric power switch installed prior to the machine is disconnected "0" OFF.**
- **An appropriately sized omnipolar circuit-breaker with a minimum 3 mm gap between its contacts must be installed between the power supply main and the machine.**
- **The manufacturer declines all responsibility for accidents or damage to persons or property caused by failure to comply with the above listed provisions.**
- Connect the electrical power cable (14) to the main switch installed prior to the machine.
- Connect the equipotential ground conductor to the terminal (15).

### 3.2 DETERGENT DISPENSER

#### (Fig. 8)

The machine is equipped with an automatic detergent dispenser.

- Insert the red supply tube (16) into the canister (17).



Always wash the hands under running water if they come into contact with detergent, or comply with the specific indications pertaining to the utilized type of detergent itself.

- Proceed with a few no-load cycles until the intake and delivery tubes have filled.

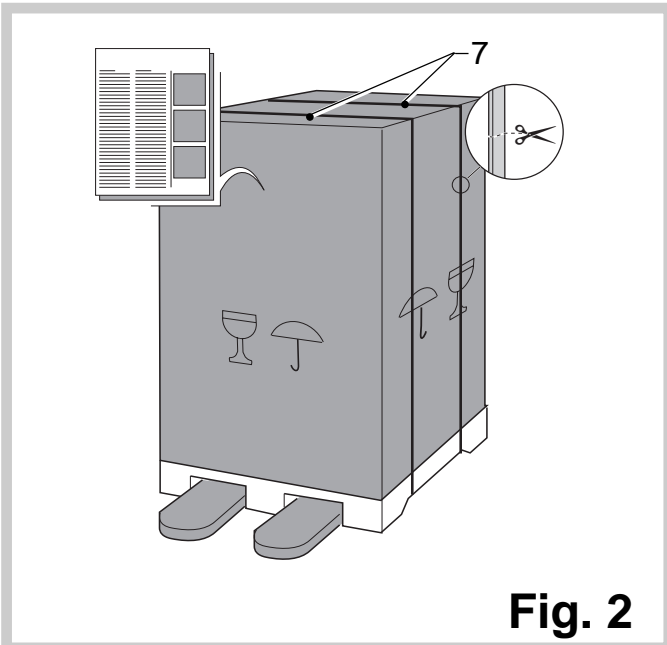
To adjust the dispenser, refer to the relative enclosed manual and to the utilized type of detergent.



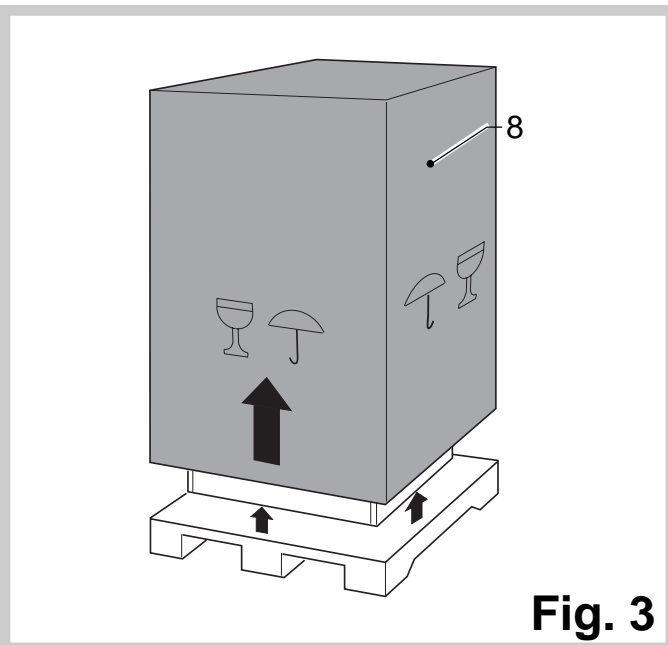
These data are indicative and not binding since they may vary according to the hardness of the water or the utilized type of detergent agent.



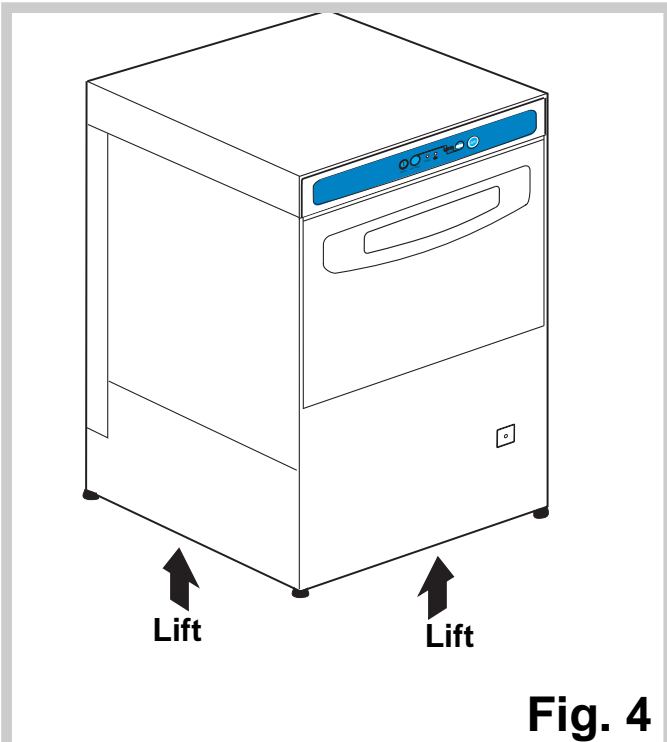
If the utilized product is changed, it is advisable to flush out the dosing system with water and to then proceed by filling the dispenser.



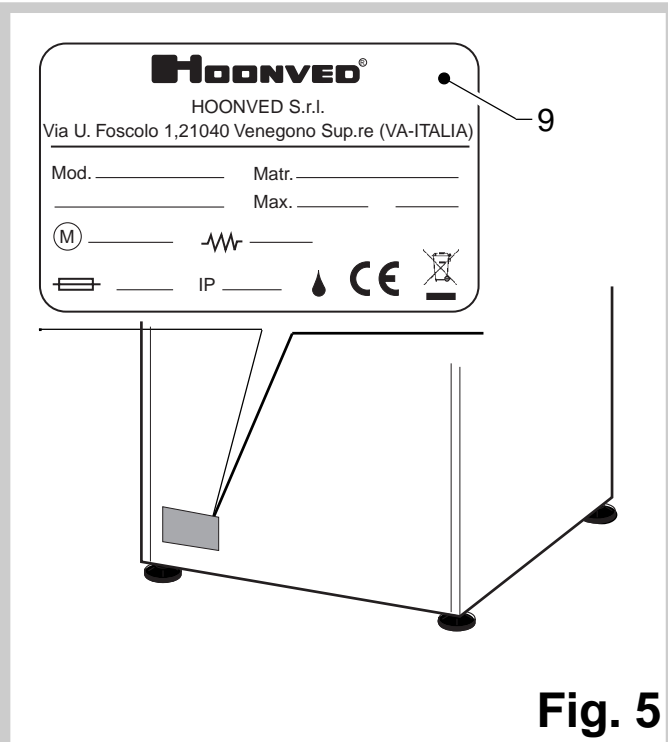
**Fig. 2**



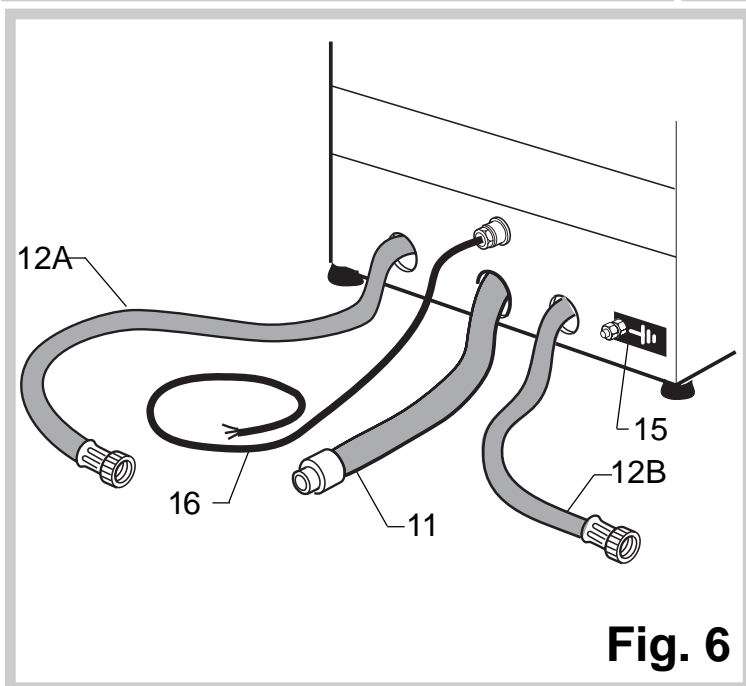
**Fig. 3**



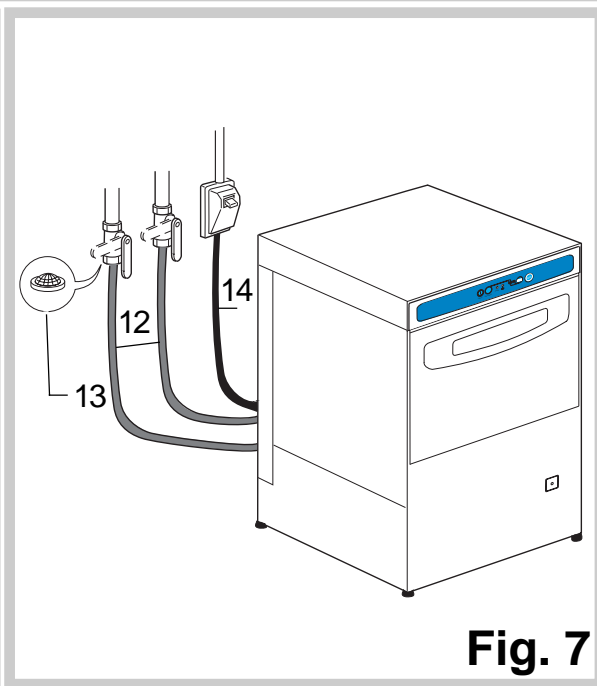
**Fig. 4**



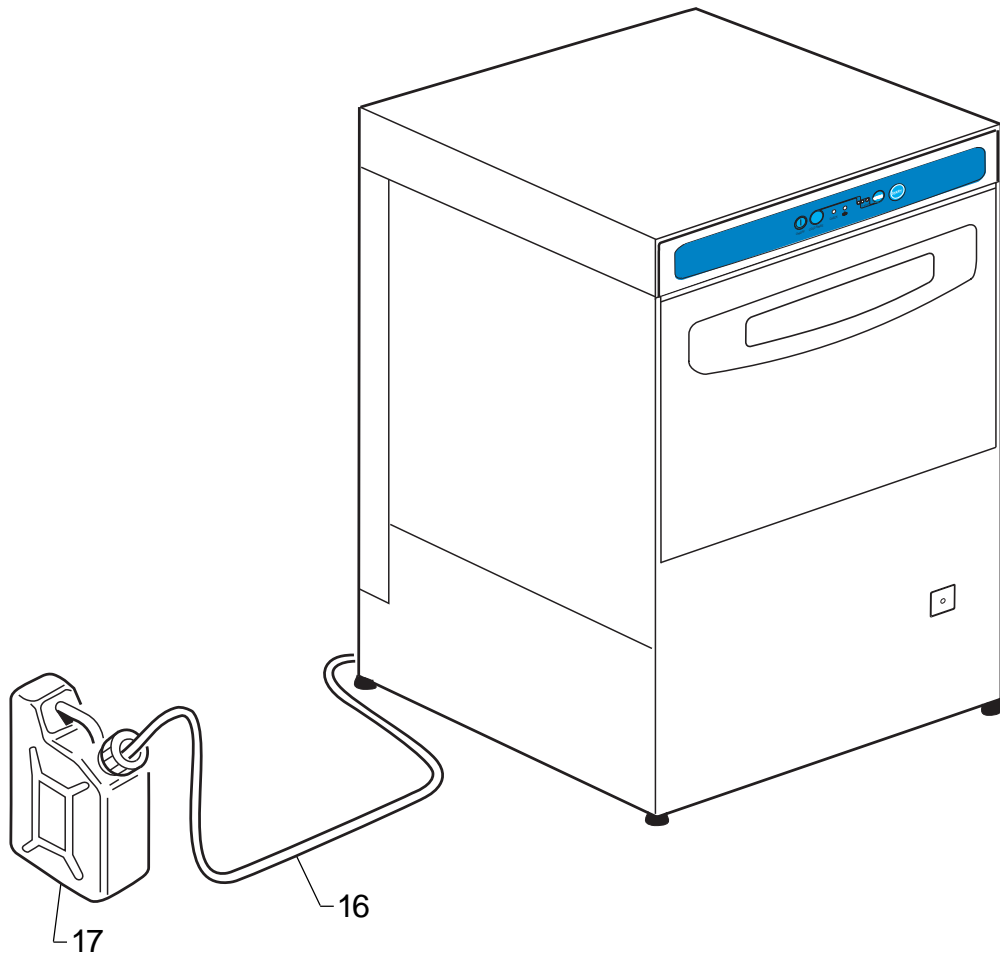
**Fig. 5**



**Fig. 6**



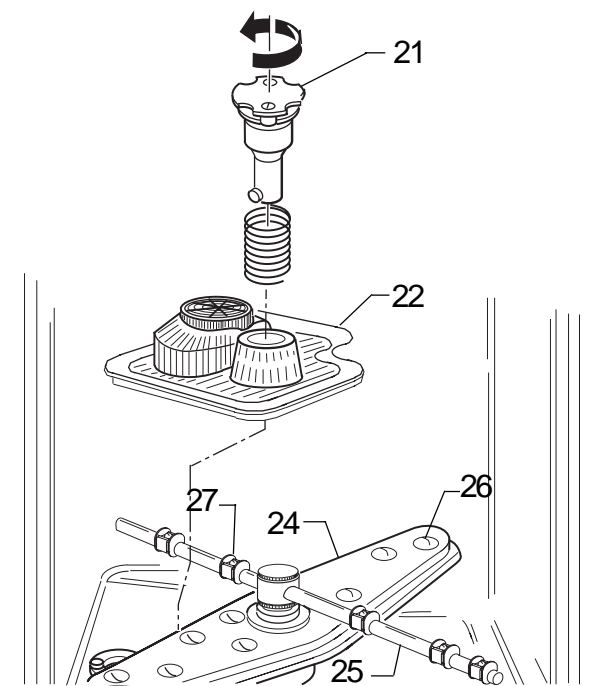
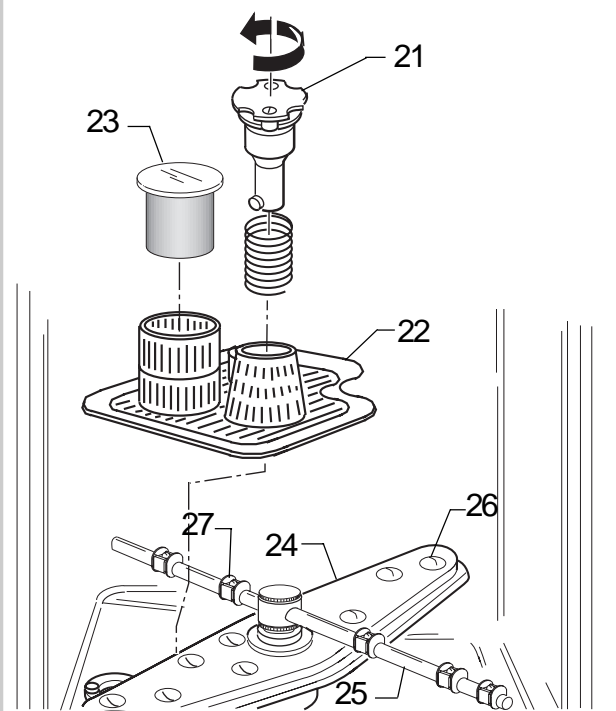
**Fig. 7**



**Fig. 8**

**MR Series  
MR with Drain Pump**

**BR2 Series  
UC450 Series  
UC500 Series**



**Fig. 9**

This Page  
Intentionally  
Left Blank

# ELECTRIC DIAGRAM



**Manufactured by:**

HOONVED s.r.l.

Via U. Foscolo, 21040 - Venegono S. (VA) - ITALY

Tel. 0331 - 856111 - Fax. 0331 - 865223

[www.hoonved.com](http://www.hoonved.com)

**For:**

Bracton Industries (NSW) Pty Ltd - Leaders through innovation & design

50 Chard Rd, Brookvale NSW Australia 2100

TEL: 02 9938 1800 -- FAX: 02 9905 0979

[www.bracton.com](http://www.bracton.com)    [sales@bracton.com](mailto:sales@bracton.com)